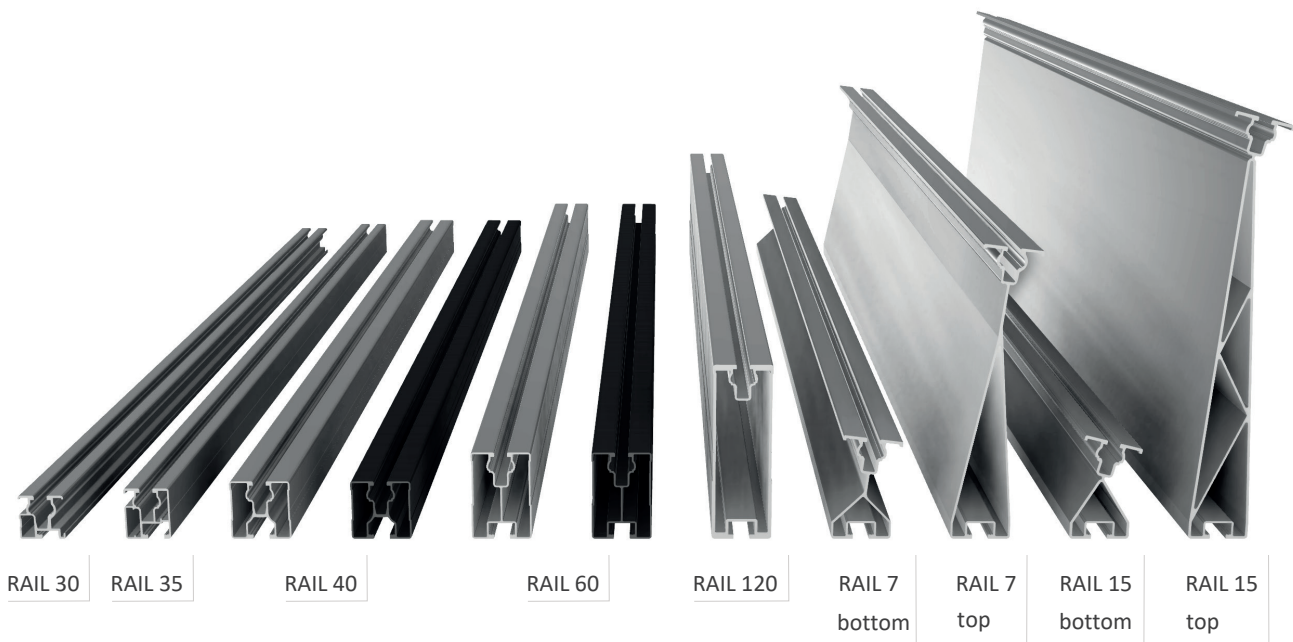




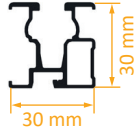
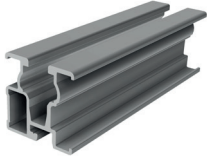
**Your advantages with our products**

- » Deep top rail channel accommodates module clamps for frame heights 30 mm - 50 mm
- » Bottom rail channel is optimized to fit all SL Rack rooftop attachments
- » Compatible with popular racking systems on the market
- » Easy handling and stacking
- » Same weight/static values as comparable products
- » Different rail heights result in varying spans (RAIL 60 and RAIL 120 provide the longest spans between roof attachments)
- » RAIL 30 and 35 is weight-optimized for lower loads
- » RAIL 120 ensures easy access to plugs and better rear ventilation of the modules
- » RAIL 7 can lead to yield increase, thanks to an additional inclination of 7°
- » RAIL 15 can lead to yield increase, thanks to an additional inclination of 15°
- » Available in various length, also in black anodized

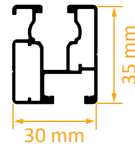
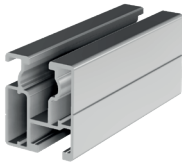


\*Our warranty conditions apply.  
They are available at [www.sl-rack.com](http://www.sl-rack.com)

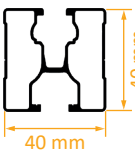
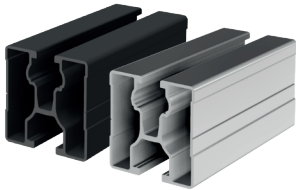
## Variants



**RAIL 30 - 5400 mm**  
Item no. 81130-5400



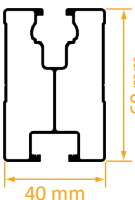
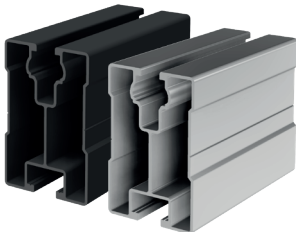
**RAIL 35 - 4750 mm**  
Item no. 81135-4750



**RAIL 40 - 2400 mm**  
Item no. 81140-2400  
**RAIL 40 - 4750 mm, black anodized**  
Item no. 86140-4750

**RAIL 40 - 3600 mm**  
Item no. 81140-3600  
**RAIL 40 - 5850 mm,**  
Item no. 81140-5850

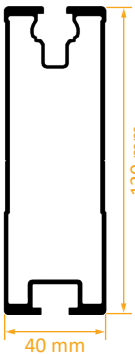
**RAIL 40 - 4750 mm**  
Item no. 81140-4750



**RAIL 60 - 2400 mm**  
Item no. 81160-2400  
**RAIL 60 - 4750 mm, black anodized**  
Item no. 86160-4750

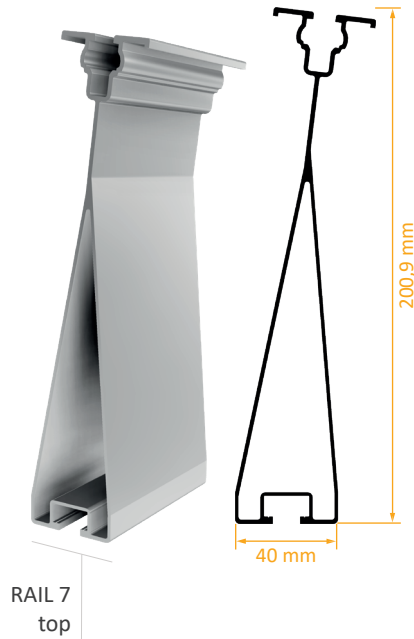
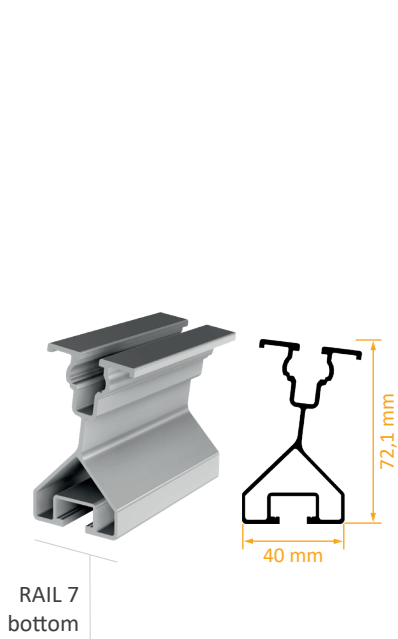
**RAIL 60 - 3600 mm**  
Item no. 81160-3600

**RAIL 60 - 4750 mm**  
Item no. 81160-4750



**RAIL 120 - 5400 mm**  
Item no. 81112-5400

**RAIL 120 - 5850 mm**  
Art.-Nr. 81112-5850



**RAIL 7 bottom - 4750 mm**

Item no. 81107-4750

**RAIL 7 top - 4750 mm**

Item no. 81106-4750



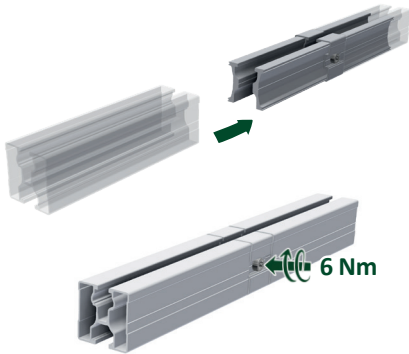
**RAIL 15 bottom - 4750 mm**

Item no. 81115-4750

**RAIL 15 top - 4750 mm**

Item no. 81114-4750

## Connectors



### Internal Connector RAIL 2.0 for RAIL 35

Item no. 81135-02

### Internal Connector RAIL 2.0 for RAIL 40

Item no. 81140-02

### Internal Connector RAIL 2.0 for RAIL 40, black anodized

Item no. 86140-02

### Internal Connector RAIL 2.0 for RAIL 60

Item no. 81160-02

### Internal Connector RAIL 2.0 for RAIL 60, black anodized

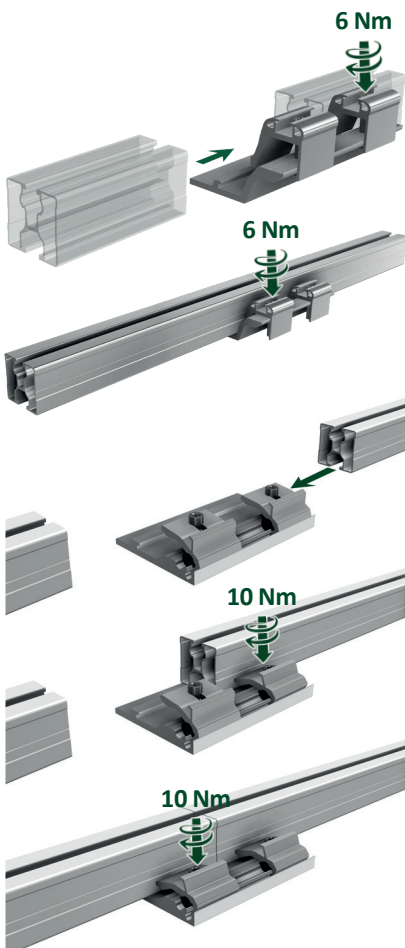
Item no. 86160-02

### Internal Connector RAIL 2.0 for RAIL 120

Item no. 81112-02



1. Insert the connector into the RAILS
2. Fixate the bolts on both sides with Torx 40 with a tightening torque of 6 Nm.



### External Connector RAIL 2.0 for all RAILS (excl. RAIL 120)

Item no. 81100-00

### External Connector RAIL 2.0 for all RAILS (excl. RAIL 120), black anodized

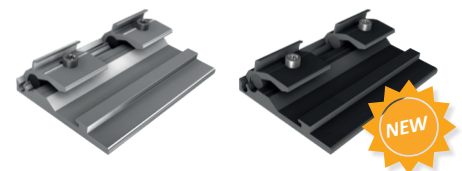
Item no. 86100-00

### External Connector RAIL 3.0 for all RAILS (excl. RAIL 120)

Item no. 81110-00

### External Connector RAIL 3.0 for all RAILS (excl. RAIL 120), black anodized

Item no. 86110-00



1. Insert the end of the first profile into the external connector and fixate the profile clamp with Torx 40 with a tightening torque of 6 Nm.
2. Insert the end of the second profile flush and fixate the second profile clamp with Torx 40 with a tightening torque of 6 Nm as well.

## Accessories



**Plastic End Cap  
RAIL 35, grey**  
Item no. 94635-06

**Plastic End Cap  
RAIL 40, grey**  
Item no. 94640-06

**Plastic End Cap  
RAIL 60, grey**  
Item no. 94660-06

**Plastic End Cap  
RAIL 35, black**  
Item no. 94635-05

**Plastic End Cap  
RAIL 40, black**  
Item no. 94640-05

**Plastic End Cap  
RAIL 60, black**  
Item no. 94660-05

For RAIL 35, 40 and 60 we also offer color-matched end caps, which have openings for drainage and are compatible with other systems on the market.



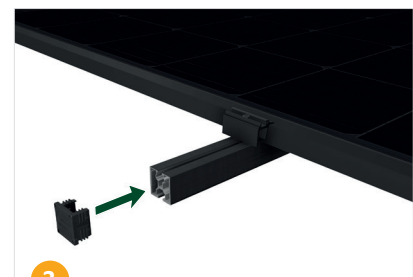
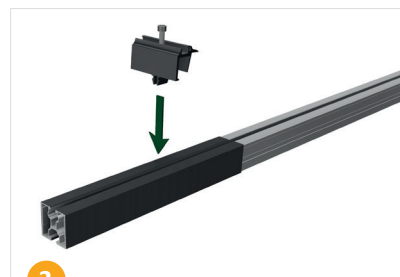
**RAIL 35 Cover - 300 mm, black**  
Item no. 91735-00

**RAIL 40 Cover - 300 mm, black**  
Item no. 91740-00

**RAIL 60 Cover - 300 mm, black**  
Item no. 91760-00

- » Rail covers consist of high-quality anodized aluminum, no discolouring
- » In combination with the black RAIL end caps, black panels and dark roof tiles, a harmonious „all-black“ look is created
- » Quick and easy installation by attachment to both sides of the rail
- » No tools required

1. Attach a rail cover to each side of the rail
2. Insert the end clamp into the rail channel
3. Optionally, finish-off with a plastic end cap





## Technical Data

<b>Material</b>	Aluminum, stainless steel (bolts)
<b>Design Tool</b>	SL-Rack-Configurator <b>Solar.Pro.Tool</b> .
<b>Statik</b>	The statics calculation takes place as per the current country-specific standards (EN 1991, EC1 for Germany). Depending on snow or wind loads or for large modules, it may be necessary to use more than the standard 4 attachment points. Please make sure to comply with the instructions of the module manufacturer contained in the installation manual. We do not assess the load-bearing capacity of the roof.

**Your opinion is important to us!**

We want to make your everyday work easier.  
Your praise, criticism and suggestions for improvement help  
us to do this. We look forward to your feedback.



SL Rack **Feedback**  
[Provide Feedback >](#)



SL Rack **Website**  
[Check it out >](#)



SL Rack **YouTube**  
[Watch videos >](#)

Find us on



Subject to technical changes  
and misprints.  
Version 06/2024 V19